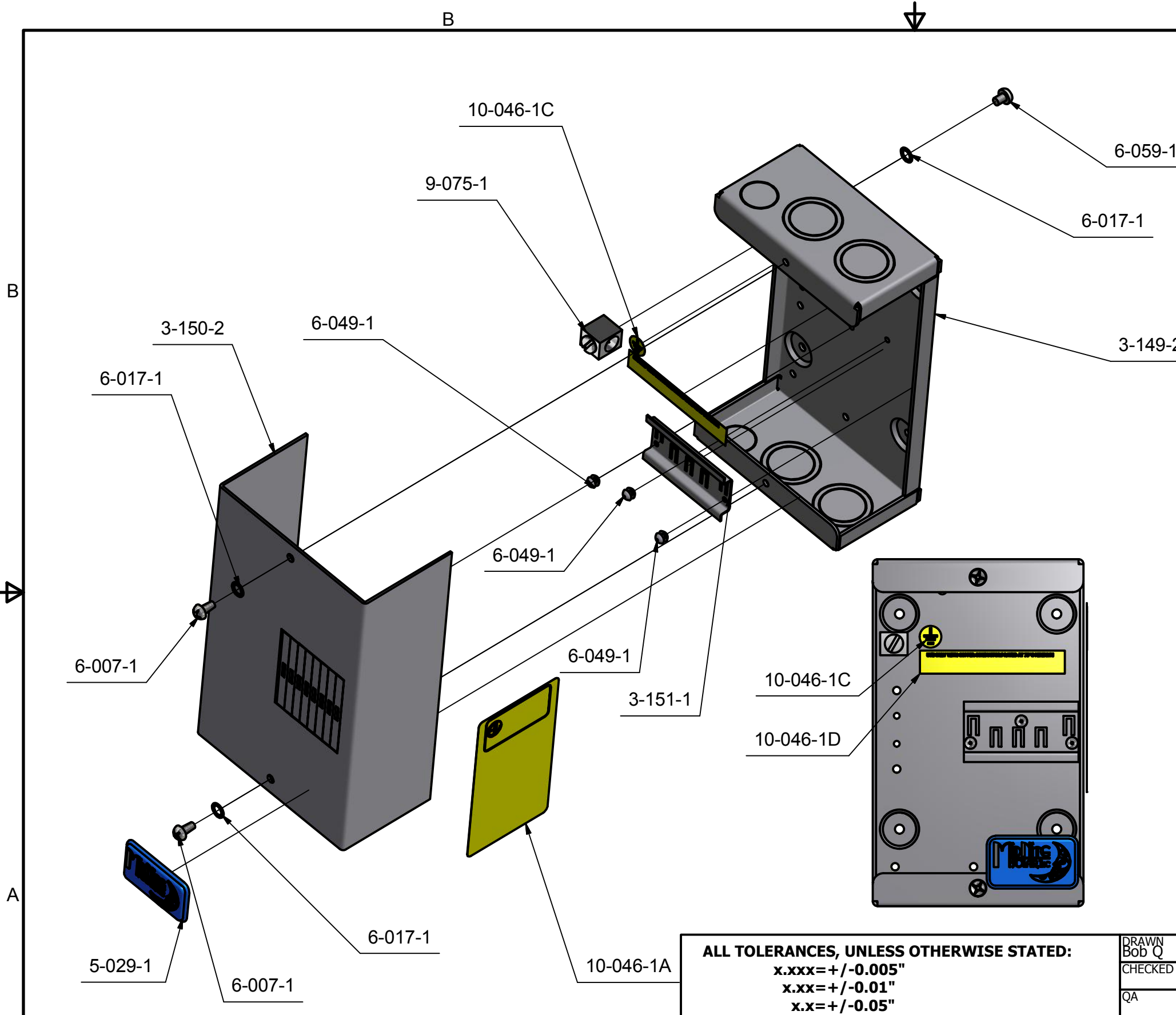


REVISION HISTORY			
REV.	DESCRIPTION OF CHANGE	DATE	SIGN
A	PRODUCTION RELEASE	3/29/13	RAQ
B	CREATED PAGE 2 FOR WEB-SITE. ADDED BREAKERS, BUSBAR AND STANDOFFS TO CAD MODEL	7/20/15	RAQ
C	ADDED DIMENSIONS TO SHEET TO IMAGES.	10/2/17	RAQ




PARTS LIST			
ITEM	QTY	PART NUMBER	DESCRIPTION
11	1	10-046-1A	ETL LABEL
9	1	10-046-1C	GROUND SYMBOL
10	1	10-046-1D	75 DEGREE NOTE
1	1	3-149-2	REV C ALUMINUM BIG BABY CHASSIS
2	1	3-150-2	REV B ALUMINUM BIG BABY COVER
3	1	3-151-1	REV B MNXX 5 POSITION DIN RAIL
5	1	5-029-1	REV A BADGE 2
7	2	6-007-1	SCREW SMS 10-18 X.375 PHP SS
6	3	6-017-1	INT. STAR WASHER NO.10 SS
4	3	6-049-1	.125 IN. DIA. BY .125-.250 AL. RIVET
8	1	6-059-1	SCREW 10-32 X .250 PHP SS
12	1	9-075-1	CAL FASTENER CA-110

ALL TOLERANCES, UNLESS OTHERWISE STATED:
 x.xxx=+/-0.005"
 x.xx=+/-0.01"
 x.x=+/-0.05"
ALL ANGLES =+/- 1° UNLESS OTHERWISE STATED

MATERIAL: _____ STANDARDS: _____
 FINISH: _____
 PROCESS: _____

DRAWN Bob Q	10/2/2017
CHECKED	
QA	
MFG	
APPROVED	

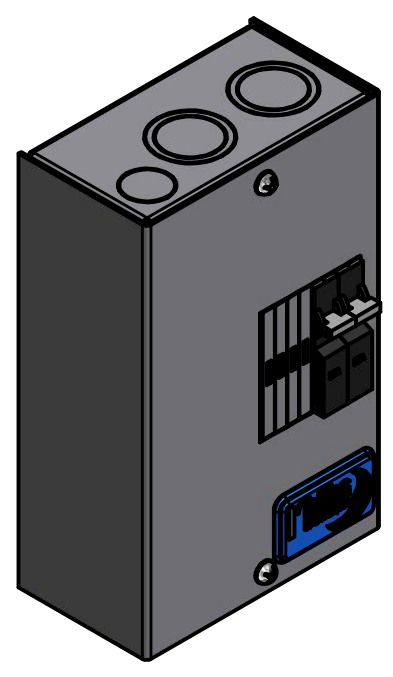
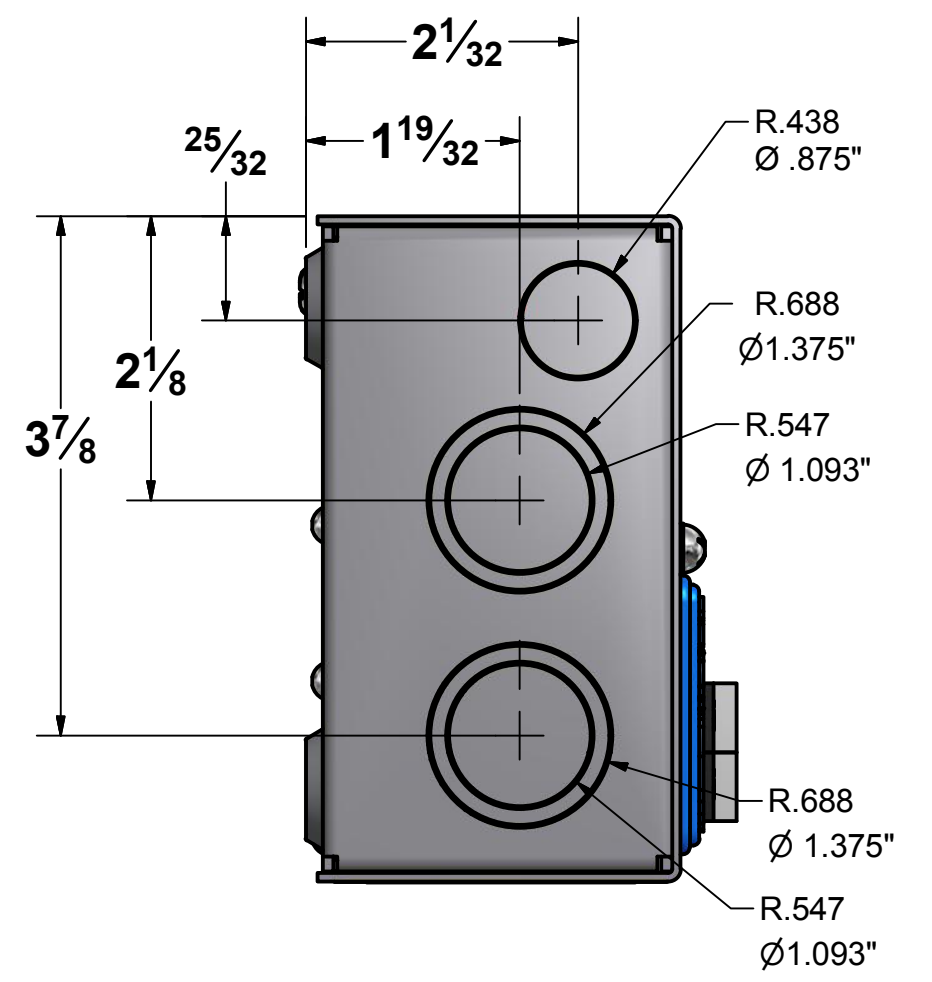
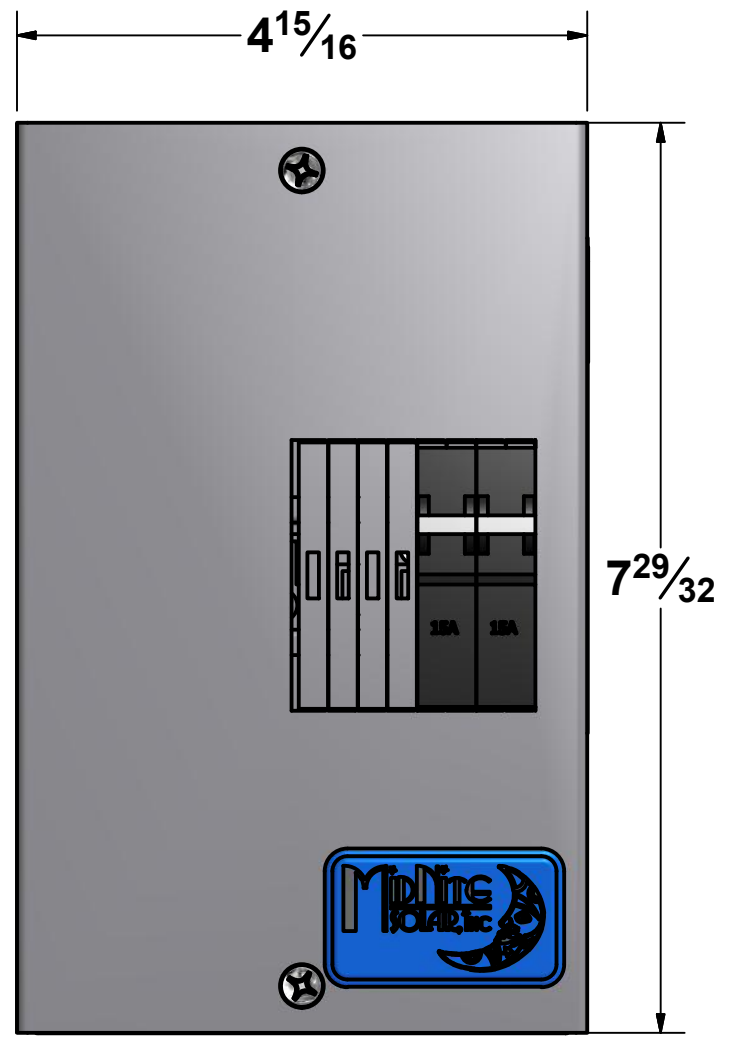
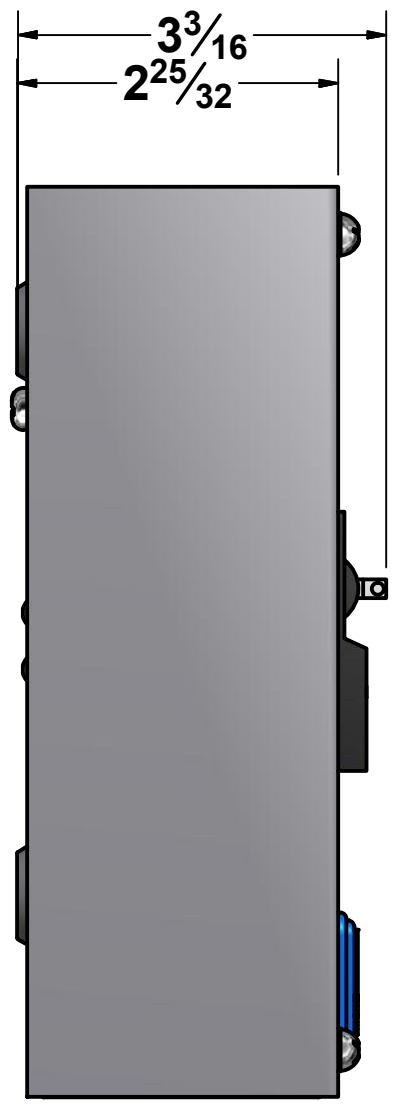
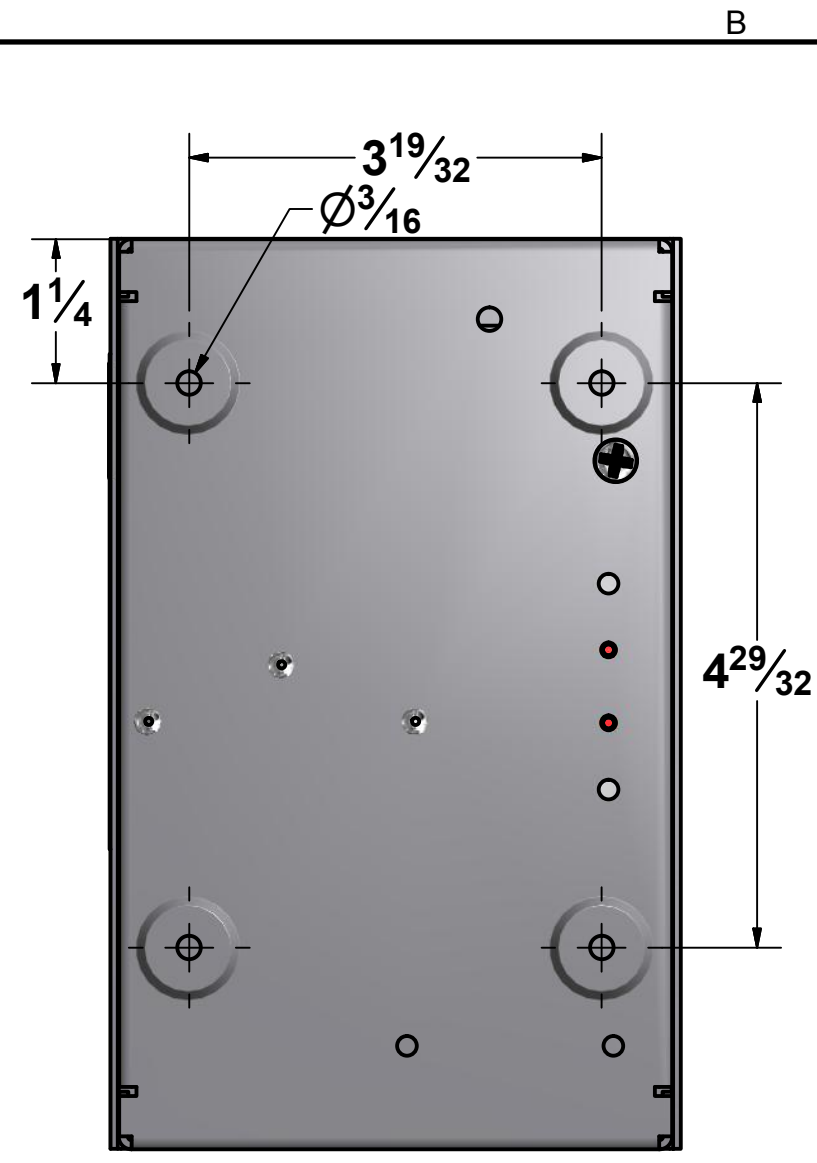
MIDNITE SOLAR, INC 

TITLE: **MNBIGBABY REV C**


SIZE B	PROJECT: MNEDCQUAD	DWG NO MNBIGBABY REV C	REV C
-----------	-----------------------	---------------------------	----------

E-FILE: MNBIGBABY REV B.iam SHEET 1 OF 2

REVISION HISTORY			
REV.	DESCRIPTION OF CHANGE	DATE	SIGN



ALL TOLERANCES, UNLESS OTHERWISE STATED: x.xxx=+/-0.005" x.xx=+/-0.01" x.x=+/-0.05"		DRAWN Bob Q	10/2/2017
ALL ANGLES = +/- 1° UNLESS OTHERWISE STATED		CHECKED	
MATERIAL:	STANDARDS:	QA	
FINISH:		MFG	
PROCESS:		APPROVED	

MIDNITE SOLAR, INC 

TITLE
MNBIGBABY REV C

SIZE B	PROJECT: MNEDCQUAD	DWG NO MNBIGBABY REV C	REV C
-----------	-----------------------	---------------------------	----------

E-FILE: MNBIGBABY REV B.iam SHEET 2 OF 2